



E6-CR

440 Assembled Roving

For SMC

440 is a high performance roving designed for Class A surface structural SMC process. It is treated with a high performance compound size and is suitable for unsaturated polyester resin and vinyl ester resins. Compared with traditional SMC roving, 440 can deliver higher glass content in SMC sheets and excellent surface property due to its good wettability. It is typically used to produce automotive parts, doors, chairs, bathtubs, and water tanks and sports apparatus.

Product Features

- ◎ Good choppability
- ◎ Excellent anti-static property
- ◎ Excellent flowability
- ◎ Excellent mechanical property
- ◎ Good wettability
- ◎ Smooth surface of end products

Identification

Example	E6CR14-2400-440
Type of Glass	E6-CR
Assembled Roving	R
Filament Diameter, μm	14, 15, 16
Linear Density, tex	2400, 4400, 4800
Size Code	440



Technical Parameters

Linear Density (%)	Moisture Content (%)	Size Content (%)	Stiffness (mm)
ISO 1889	ISO 3344	ISO 1887	ISO 3375
± 5	≤ 0.10	1.25 ± 0.15	160 ± 20

Packaging

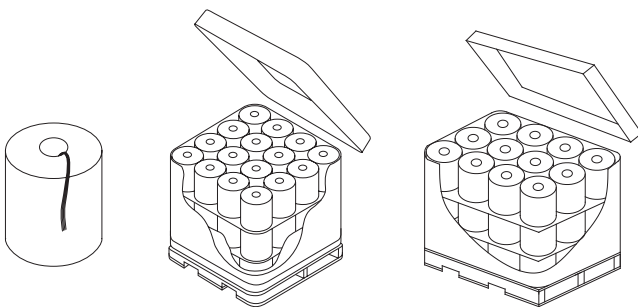
* The product can be packed on pallet or in small cardboard boxes.

Package height mm (in)	260 (10)	260 (10)
Package inside diameter mm (in)	100 (4)	100 (4)
Package outside diameter mm (in)	270 (10.6)	310 (12.2)
Package weight kg (lb)	17 (37.4)	22 (48.5)

Storage

Unless otherwise specified, fiberglass products should be stored in a dry, cool and rain-proof area. It is recommended that the room temperature and humidity should be always maintained at $15\text{ C} \sim 35\text{ C}$ and $35\% \sim 65\%$ respectively. To ensure safety and avoid damage to the product, the pallets should not be stacked more than three layers high. When the pallets are stacked in 2 or 3 layers, care should be taken to correctly and smoothly move the top pallet.

Number of layers	3	4	3	4
Number of doffs per layer	16		12	
Number of doffs per pallet	48	64	36	48
Net weight per pallet kg (lb)	816 (1797.3)	1088 (2396.5)	792 (1746)	1056 (2328)



Pallet length mm (in)	1120 (44)		1270 (50)	
Pallet width mm (in)	1120 (44)		960 (37.8)	
Pallet height mm (in)	940 (37)	1180 (46.5)	940 (37)	1180 (46.5)

JUSHI GROUP CO., LTD.

版权所有：© 巨石集团有限公司 ® 巨石集团有限公司注册商标

Add: Tongxiang Economic Development Zone, Zhejiang 314500, PRC International Sales: +86-573-88181026 Fax: +86-573-88181058
 Domestic Sales: +86-573-88181016 Fax: +86-573-88136222 Customer Service: +86-573-88181017 Fax: +86-573-88181388
 Http://www.jushi.com E-mail: info@jushi.com