

162 Assembled Roving is designed for use in chop fabricated pipes. It is coated with a special silane-based sizing compatible with unsaturated polyester and vinyl ester resins. It offers strong resin adsorbability and strong water resistance and excellent chemical resistance of parts. 162 is used to produce large-diameter pipes.



Product Features

- Moderate wet-out and good compatibility with resins
- Good dispersion and uniform distribution in parts
- Good anti-static property
- Good choppability

Identification

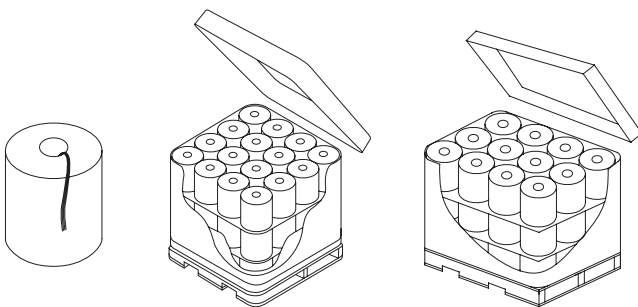
Example	ER13-2400-162
Type of Glass	E
Assembled Roving	R
Filament Diameter, μm	13
Linear Density, tex	2400, 4800
Size Code	162

Technical Parameters

Linear Density (%)	Moisture Content (%)	Size Content (%)	Stiffness (mm)
ISO 1889	ISO 3344	ISO 1887	ISO 3375
± 6	≤ 0.15	1.20 ± 0.15	125 ± 20

Storage

Unless otherwise specified, fiberglass products should be stored in a dry, cool and rain-proof area. It is recommended that the room temperature and humidity should be always maintained at $15^{\circ}\text{C} \sim 35^{\circ}\text{C}$ and $35\% \sim 65\%$ respectively. To ensure safety and avoid damage to the product, the pallets should not be stacked more than three layers high. When the pallets are stacked in 2 or 3 layers, care should be taken to correctly and smoothly move the top pallet.



Packaging

* The product can be packed on pallet or in small cardboard boxes.

Package height mm (in)	260 (10)	260 (10)
Package inside diameter mm (in)	100 (4)	100 (4)
Package outside diameter mm (in)	270 (10.6)	310 (12.2)
Package weight kg (lb)	17 (37.4)	23 (50.7)

Number of layers	3	4	3	4
Number of doffs per layer	16		12	
Number of doffs per pallet	48	64	36	48
Net weight per pallet kg (in)	816 (1797.3)	1088 (2396.5)	828 (1825.4)	1104 (2433.9)

Pallet length mm (in)	1120 (44)		1270 (50)	
Pallet width mm (in)	1120 (44)		960 (37.8)	
Pallet height mm (in)	940 (37)	1180 (46.5)	940 (37)	1180 (46.5)

JUSHI GROUP CO., LTD.

版权所有：©巨石集团有限公司 ®巨石集团有限公司注册商标

Add: Tongxiang Economic Development Zone, Zhejiang 314500, PRC
 Domestic Sales: +86-573-88181016 Fax:+86-573-88136222
 Http://www.jushi.com E-mail:info@jushi.com

International Sales: +86-573-88181026 Fax:+86-573-88181058
 Customer Service: +86-573-88181017 Fax:+86-573-88181388